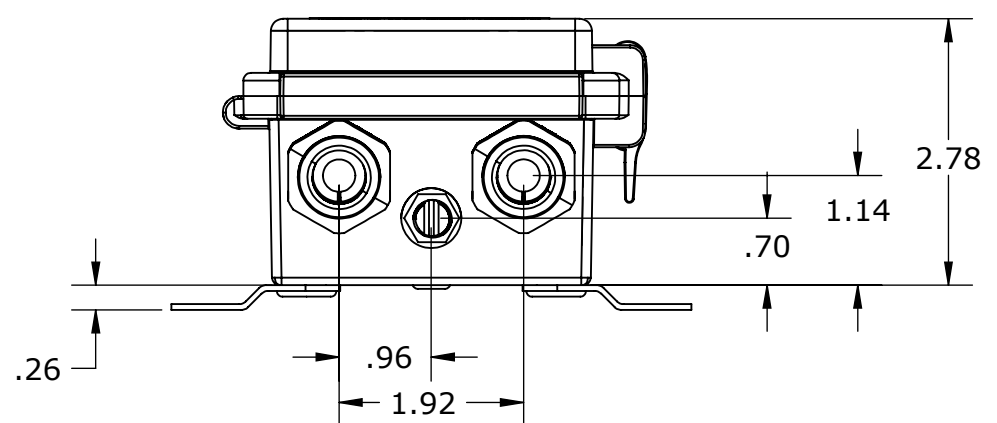
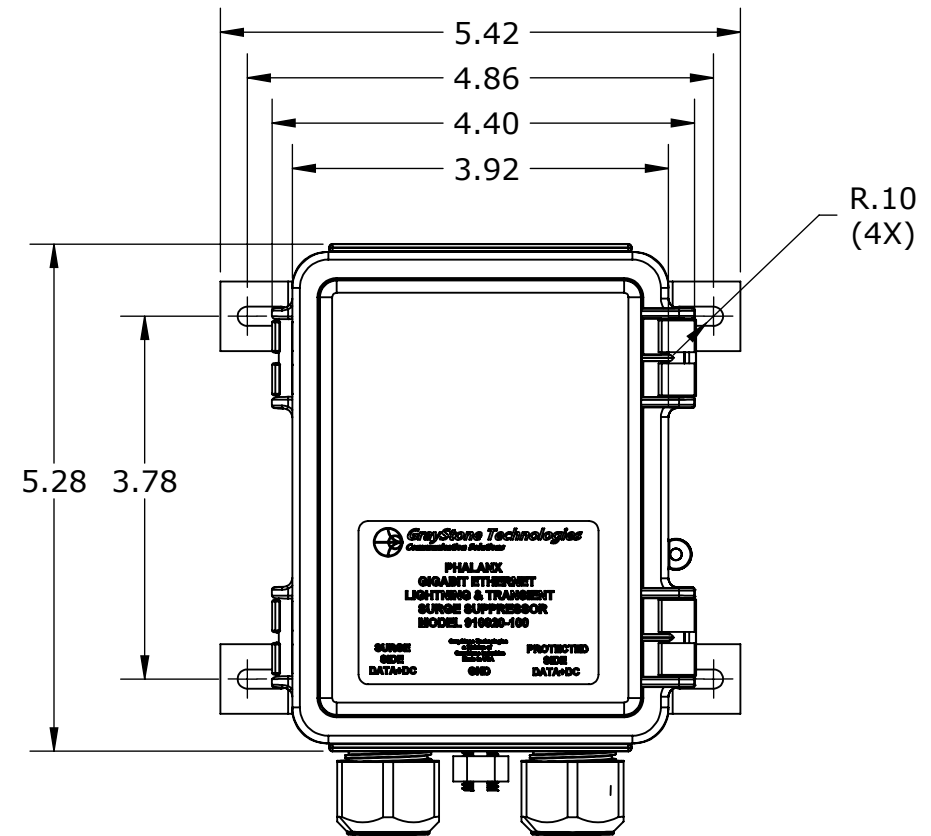
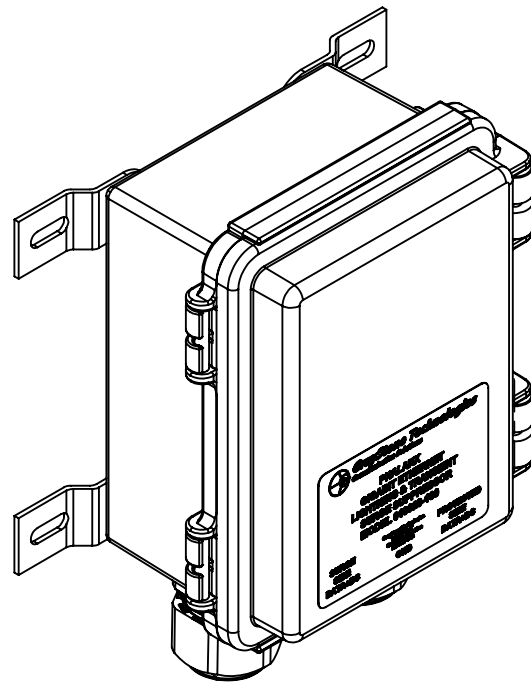


D
C
B
A

D
C
B
A



SPECIFICATIONS

DESCRIPTION:
LIGHTNING /TRANSIENT SURGEPROTECTOR FOR IEEE 802.3ab GIGABIT ETHERNET.

ELECTRICAL:
 CONNECTORS: RJ45 JACK, SHIELDED.
 IMPEDANCE: 100 OHMS NOMINAL.
 DC RESISTANCE: 8 OHMS
 DATA RATE: 1000 Mbps, 1000 Base-T PER IEEE 802.3ab.
 DATA TEST METHOD: RFC2544
 PROTECTED PIN PAIRS: (1-2), (3-6), (4-5), (7-8).
 PROTECTED PINS TO CHASSIS GROUND: ALL PINS.
 MAXIMUM SURGE CURRENT:
 ONE TIME DISCHARGE:
 300A, 10/1000uS WAVEFORM, PER TELCORDIA GR-1089.
 5kA, 8/20uS WAVEFORM PER IEC 61000-4-5.
 REPETITIVE DISCHARGE (10 CYCLES):
 100A, 10/1000uS PER TELCORDIA GR-1089.
 3kA 8/20uS PER IEC 61000-4-5.
 SURGE LET THROUGH VOLTAGE:
 @ 100A, 10/1000uS:
 LINE-LINE <30V PEAK.
 LINE-GROUND <15V PEAK.
 @ 3kA, 8/20uS:
 LINE-LINE <30V PEAK.
 LINE-GROUND <15V PEAK.

MECHANICAL:
 WEIGHT: 11oz.
 MOUNTING: POLE OR PANEL.
 CABLE GRIP:
 CABLE O.D. RANGE: 0.45" to 0.70"
 SEALING NUT TORQUE 25-30 in-lb.
 GROUNDING NUT TORQUE: 20-25 in-lbs.

ENVIRONMENTAL:
 IP68 RATING.
 OPERATING TEMPERATURE: -40 TO +65 deg-C.
 RELATIVE HUMIDITY: 0 TO 100% CONDENSING.

REGULATORY:
 RoHS COMPLIANT.
 NEBS LEVEL 3 COMPLIANT.

PROPRIETARY AND CONFIDENTIAL
 THE INFORMATION CONTAINED IN THIS DRAWING IS THE SOLE PROPERTY OF GRAYSTONE INDUSTRIES. ANY REPRODUCTION IN PART OR AS A WHOLE WITHOUT THE WRITTEN PERMISSION OF GRAYSTONE INDUSTRIES IS PROHIBITED.

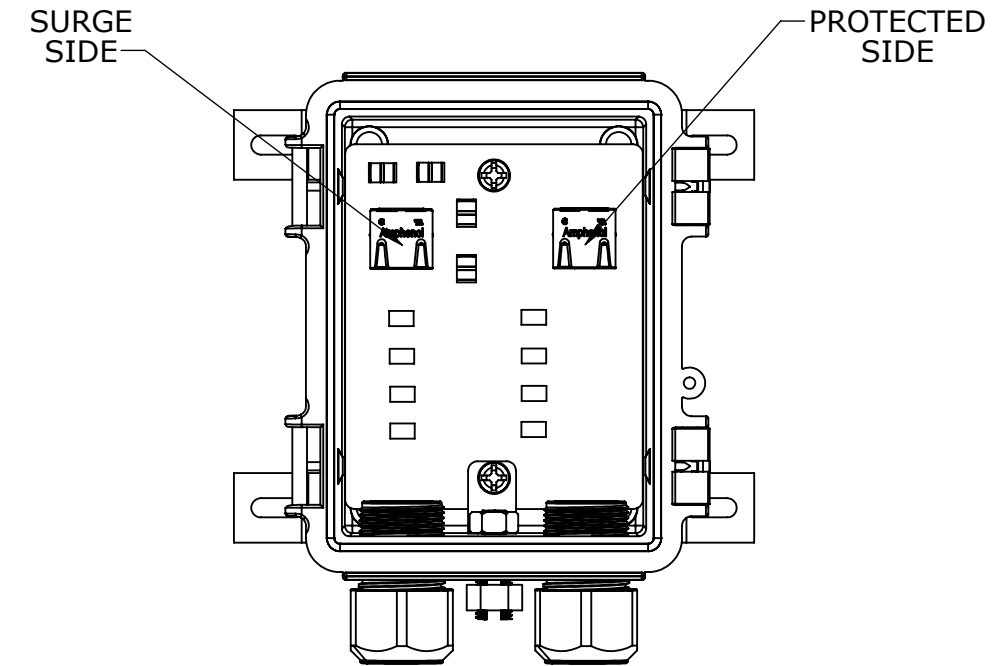
		UNLESS OTHERWISE SPECIFIED:		NAME	DATE	GrayStone Industries Dayton, Nevada	
		DIMENSIONS ARE IN INCHES TOLERANCES: FRACTIONAL ±1/64 ANGULAR: MACH ±0.1 BEND ±0.1 TWO PLACE DECIMAL ±0.01 THREE PLACE DECIMAL ±0.001		DRAWN	R.B.	9/19/17	TITLE: SURGE PROTECTOR-ODU, ETHERNET, 1GB
		INTERPRET GEOMETRIC TOLERANCING PER:		CHECKED			
		MATERIAL PBT/PC, UL94-5VA+UV(f1)		ENG APPR.			
		FINISH		MFG APPR.			
NEXT ASSY	USED ON			Q.A.			SIZE
APPLICATION		DO NOT SCALE DRAWING		COMMENTS:			DWG. NO.
							05-910020-100
							REV
							A
							SCALE: 1:2
							WEIGHT:
							SHEET 1 OF 2

INSTALLATION INSTRUCTIONS:

WARNING

THE SURGE SIDE OF THIS LIGHTNING PROTECTION (LP) DEVICE IS DESIGNED TO BE USED WITH SHIELDED CATEGORY 5/6/7 ETHERNET CABLE TERMINATED WITH SHIELDED RJ45 CONNECTORS AND WHEREBY THE CABLE SHIELD IS BONDED TO THE RJ45 CONNECTOR SHIELD.

- 1) TO MOUNT THE LP, FIRST LOOSLY INSTALL THE 4 HANGERS (ITEM 3) ONTO THE BACK OF THE LP ENCLOSURE AS DESCRIBED IN THIS DRAWING USING THE 4 M4X8 SCREWS (ITEM 4) PROVIDED.
 - a) IF THE UNIT IS TO BE MOUNTED ONTO A FLAT PANEL, ROTATE THE HANGERS INTO THE DESIRED MOUNTING POSITION, THEN TIGHTEN THE HANGER SCREWS. MOUNT THE UNIT TO THE PANEL USING FASTENERS (ITEM 1).
 - b) IF MOUNTING ONTO A POLE, THEN IT IS RECOMMENDED USING TIMES MICROWAVE POLE MOUNTING KIT P/N 910023-100 (ITEM 2) FOLLOWING THE MOUNTING INSTRUCTIONS THEREOF.
- 2) THE FOLLOWING PROCEDURE APPLIES TO BOTH THE SURGE AND PROTECTED SIDE ETHERNET CABLE INSTALLATION. REMOVE THE CABLE GRIP OUTER NUT THEN REMOVE THE SPLIT GLAND FROM THE LP CABLE GRIP. PLACE CABLE GRIP NUT ONTO THE PRE-ASSEMBLED ETHERNET CABLE THEN PLACE THE SPLIT GLAND AROUND THE PRE-ASSEMBLED ETHERNET CABLE MAKING SURE THE GLAND IS IN FRONT OF THE NUT AND HAS ITS CHAMFERED END POINTING AWAY FROM THE NUT. PASS THE ETHERNET CABLE THROUGH THE GRIP SECTION ATTACHED TO THE LP ENCLOSURE AND CONNECT THE CABLE TO THE APPROPRIATE RJ45 CONNECTOR LOCATED ON THE LP UNIT. SLIDE THE GLAND BACK INTO THE CABLE GRIP (CHAMFERED END FIRST) SECTION ATTACHED TO THE LP ENCLOSURE. SLIDE THE GRIP NUT BACK ONTO THE CABLE GRIP AND TIGHTEN 30 in-lbs. (NOTE: IF USING PRE-ASSEMBLED ETHERNET CABLE ASSEMBLIES, THE SPLIT GLANDS USED IN THE LP CABLE GRIPS WILL FACILITATE PASSING THE CABLE ASSEMBLY THROUGH THE GRIPS. HOWEVER, IF THE CABLE ASSEMBLES ALSO POSSESS A STRAIN RELIEF BOOT, THAT BOOT MUST BE REMOVED IN ORDER TO PASS THROUGH THE CABLE GRIP. THE GRIP ITSELF WILL PROVIDE SUFFICIENT STRAIN RELIEF FOR THE CABLE ASSEMBLY.)
- 3) LOOSEN THE 1/2" NUT LOCATED ON THE SERVICE POST. STRIP THE INSULATION FROM AN 8AWG TO 10AWG GROUNDING WIRE AND INSERT INTO THE SLOT OF THE SPLIT BOLT SERVICE POST. TIGHTEN THE SERVICE POST NUT TO 20 in-lbs.
- 4) STRIP THE INSULATION FROM THE FREE END OF THE GROUND WIRE AND SECURE THE FREE END TO AN EXTERNAL SYSTEM GROUND. THE PREFERRED LENGTH OF THE GROUND WIRE IS 12" OR LESS.



RECOMMENDED INSTALLATION MATERIALS

ITEM	DESCRIPTION	QUANTITY	NOTES
4	M4 x 8 tap screws	4	Included
3	Hangers	4	Included
2	Pole mount kit	1	910023-100, optional
1	Dry wall screws, #6 or #8	4	Not included

PROPRIETARY AND CONFIDENTIAL
 THE INFORMATION CONTAINED IN THIS DRAWING IS THE SOLE PROPERTY OF GRAYSTONE INDUSTRIES. ANY REPRODUCTION IN PART OR AS A WHOLE WITHOUT THE WRITTEN PERMISSION OF GRAYSTONE INDUSTRIES IS PROHIBITED.

UNLESS OTHERWISE SPECIFIED:		NAME	DATE	GrayStone Industries Dayton, Nevada
DIMENSIONS ARE IN INCHES TOLERANCES: FRACTIONAL ± ANGULAR: MACH ± BEND ± TWO PLACE DECIMAL ± THREE PLACE DECIMAL ±		DRAWN	R.B.	
INTERPRET GEOMETRIC TOLERANCING PER:		CHECKED		TITLE: SURGE PROTECTOR-ODU, ETHERNET, 1GB
MATERIAL PBT/PC, UL94-5VA+UV(f1)		ENG APPR.		
FINISH		MFG APPR.		
NEXT ASSY	USED ON	Q.A.		SIZE B
APPLICATION		COMMENTS:		DWG. NO. 05-910020-100
DO NOT SCALE DRAWING				REV A
				SCALE: 1:2
				WEIGHT:
				SHEET 2 OF 2